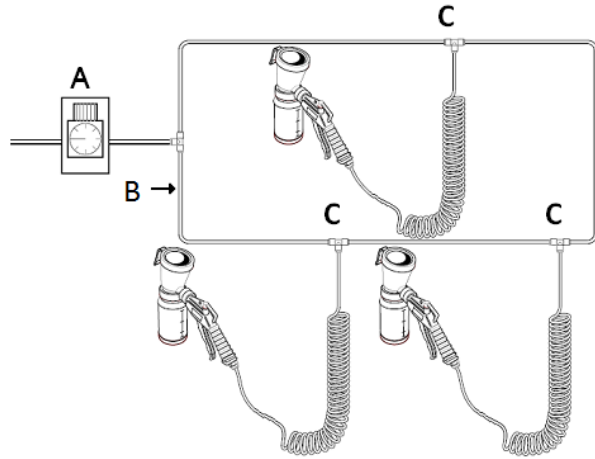
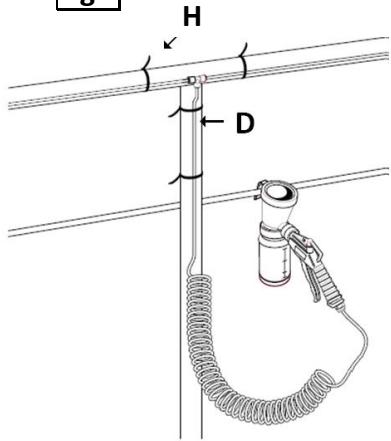
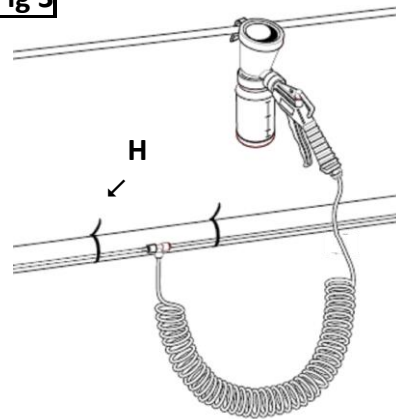
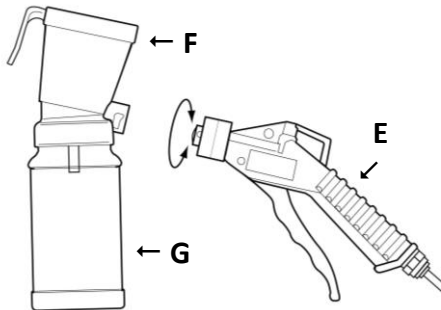
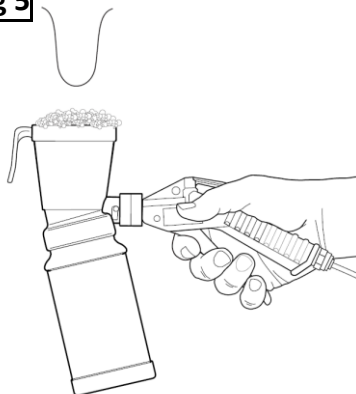


Fig 1**Fig 2****Fig 3****Fig 4****Fig 5**

INSTALLATION

The PowerFoamer is designed to be installed as a ring main system (see **Fig 1**). It is powered by the parlour or farm compressor.

Position regulator box (**A**) where it is not likely to be damaged, where a supply of compressed air can be easily connected to the 3 metre inlet pipe and where fine pressure adjustment can be easily made.

Routing the ring main tube (**B**) will depend on the parlour design.

For High level (**Fig 2**) designs it will ideally be positioned above the rump rail with the long tail of the coil (**D**) connected via a "T" fitting (**C**) and fixed to a suitable upright with cable ties (**H**). Use 2 cable ties to secure each T-piece firmly to support. Alternatively, it can be routed along the centre of the parlour.

For Low level (**Fig 3**) parlours it can conveniently be routed below the cow standing.

CAUTION : Do not over tighten the cable ties used to secure the tubing, as air flow may be restricted.

IMPORTANT: "T" fitting and gun entry fitting are "push-in" and can be released by holding the flange in and pulling out the tubing (see diagrams overleaf). Foam Applicators should be positioned such that all milking points can be reached comfortably without over-stretching the coils. Extension kits are available to enable as many Applicators as required to be installed. If no suitable horizontal bar is available on which to hang the unit, it may be necessary to attach brackets (not included), or a hanging rail.

TESTING

Open inlet valve at regulator box (**A**) and remove the enclosure lid. Pressurise the system, then turn Off the inlet valve. The pressure gauge should show no drop in pressure. If a drop is seen, ensure that all tubes are fully engaged in the push-in fittings and test again.

OPERATION

Open inlet valve at regulator (**A**), which will be factory set at 3 psi (0.2 bar).

Fill bottle (**G**) with suitable foaming teat product (pre or post) to 300ml mark on the bottle – **DO NOT OVERFILL**. Bottle can either be unscrewed from Applicator (**F**) with gun (**E**) attached or after releasing from the gun bayonet (**Fig 4**).

When ready to dip, depress the trigger until foam is level or just above the rim of Applicator (**F**) and raise fully onto teat (**Fig 5**).

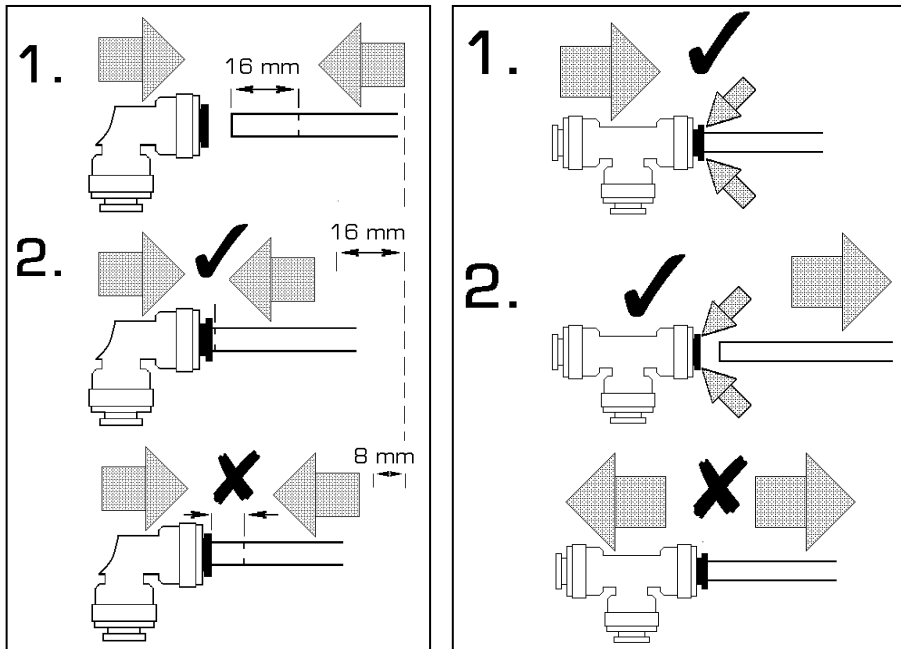
Normal operating pressure is in the range 2 - 3 psi (0.15 – 0.2 bar); fine tuning may be necessary for different chemicals, foam consistency, speed and number of guns in operation. If foam is too "wet" then increase the operating pressure slightly to correct.

Pressure adjustment must be carried out with one of the guns detached from its Applicator and held open.

MAINTENANCE

Clean applicators DAILY, rinsing the foaming gauze well in warm water to remove any **residues** – this is particularly important to avoid blockages, if using an iodine-based chemical. Keep guns clean – particularly in trigger area - to avoid trigger valve sticking.

IMPORTANT: to reduce any potential for condensation in the air line, please adhere to the compressor manufacturer's recommendation at all times and drain filter and tank regularly.

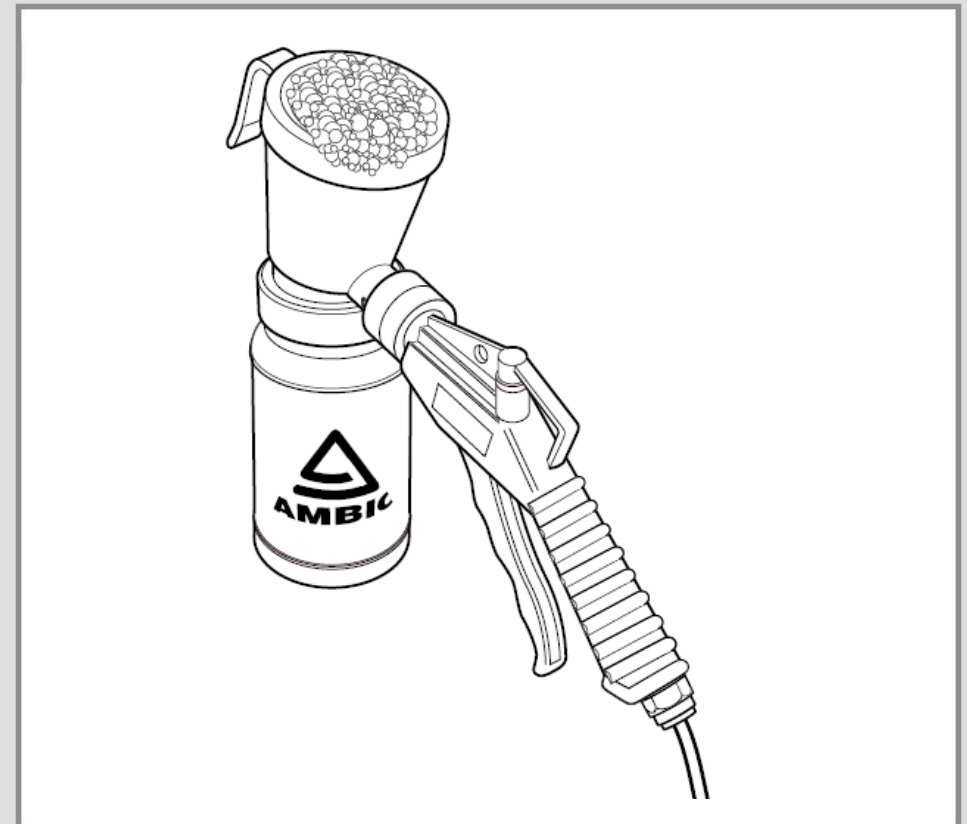


Ambic Equipment Limited
 1 Parkside, Avenue Two Station Lane,
 Witney, Oxfordshire, OX28 4YF, England
 Tel: +44 (0)1993 776555 Fax: +44 (0)1993 779039
www.ambic.co.uk

PF7501F v1 (18/05/21)

AMBIC®

POWER FOAMER



OPERATING INSTRUCTIONS

leading best practice in livestock health management