

AMBIC®

Low Volume Metal Gear DC Peristaltic Pump – Fixed Speed



OPERATING INSTRUCTIONS

leading best practice in livestock health management

Low Volume Metal Gear Peristaltic Pump (12/24V DC) – Fixed Speed

Introduction

The Low Volume Fixed Speed Peristaltic Pump with metal gears is supplied as stand-alone pump. Pumps are supplied as either of two voltages: 12 & 24 V DC. The delivery output will be dependent upon the motor speed and the size of the tube size that is fitted to the pump, as well as the viscosity of the liquid being pumped. Five different speed motors and three tubes sizes (3.2, 4.6 and 6.3mm Bore Santoprene) are available. This pump is ideal for intermittent use.

This pump is ideal for intermittent use.

Safety



CAUTION: *Wear protective clothing and eyewear when dispensing chemicals or any other materials. Observe safety handling instructions (MSDS) of chemical manufacturers.*



CAUTION: *To avoid severe or fatal shock, always disconnect main power when servicing the unit.*

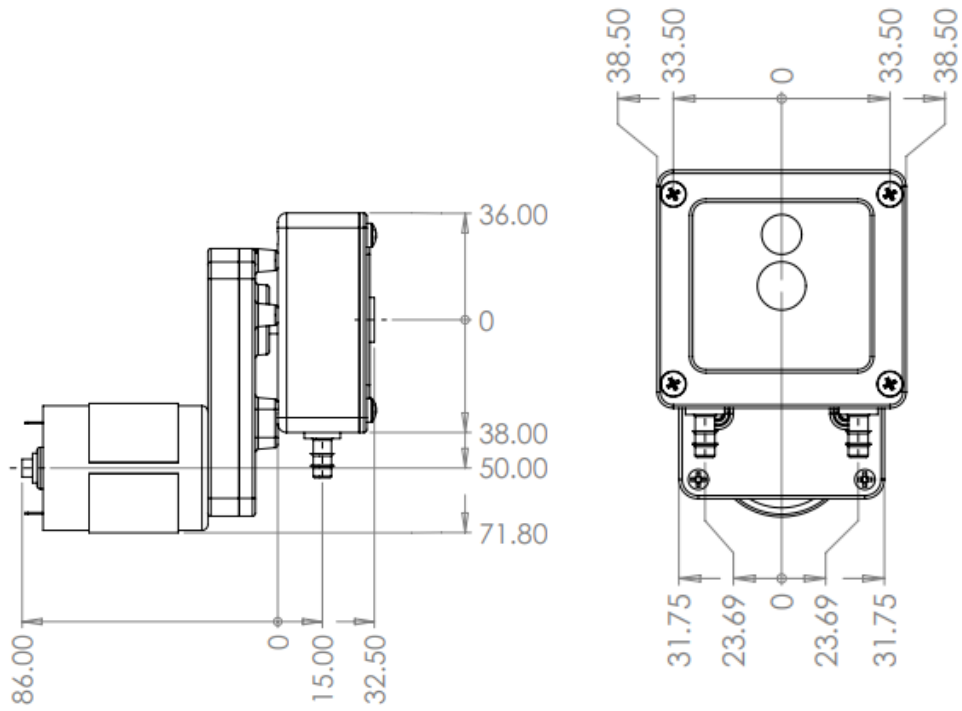
Specifications

Pump delivery – These are **nominal** figures using Water at room temperature with a one metre suction and delivery tube:

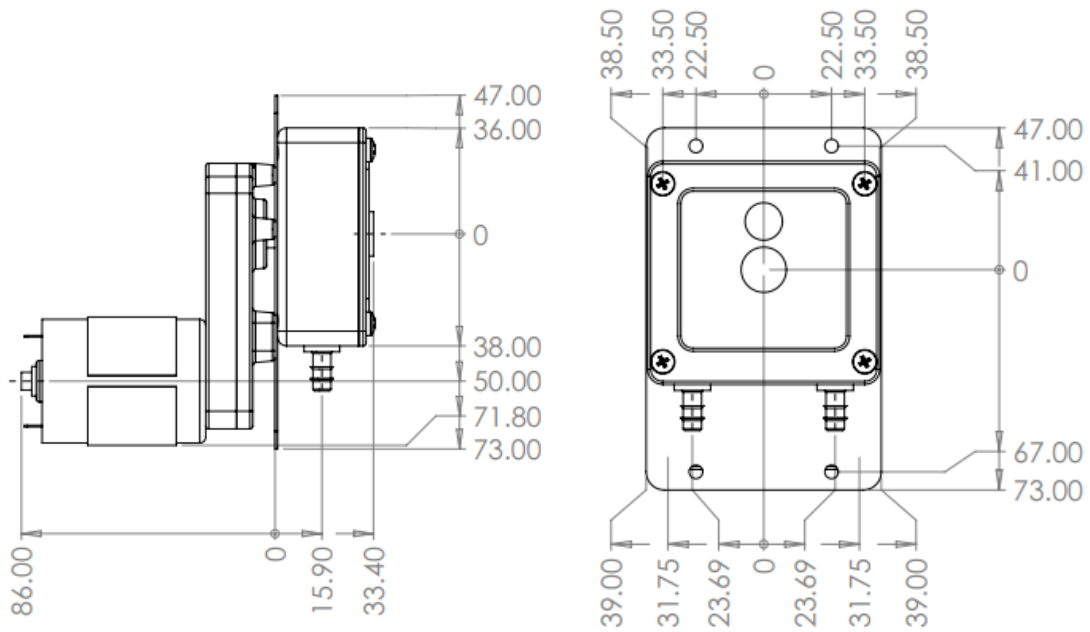
Output	RPM	Tube Size & Delivery Rate		
		3.2 Bore ml/min	4.6 Bore ml/min	6.3 Bore ml/min
Fixed	62	80	150	240
	94	110	225	340
	125	160	320	500
	156	180	340	610
	188	240	470	750

Low Volume Metal Gear Peristaltic Pump (12/24V DC) – Fixed Speed

Without Mounting Plate:



With Mounting Plate:



Low Volume Metal Gear Peristaltic Pump (12/24V DC) – Fixed Speed

Installation

Pump

The pump will turn clockwise during operation. Liquid intake (suction) is on the left-hand spigot and delivery (feed) is on the right-hand spigot. Ensure that the correct sized suction and delivery tubes are used. Secure the suction and feed tube with Jubilee clips.

Mounting

The pump is designed to be fitted to a suitable plastic, or metal enclosure with the correct cut out. If the pump is fitted with a mounting plate, fixing holes are provided for M4 screws.

Power

12/24V DC, with minimum of 2A start up current, is required. The pump should be connected to the supply voltage via a terminal block or push-on crimps, as per your requirements. Any loose wires inside the enclosure should be clamped to the solid surface. The red wire should be connected to the positive and the black wire connected to the negative of the DC supply.

Operation

The pump will run in response to application of a 12/24V DC supply and stop on removal of the supply. There are no other controls.

Pump Maintenance

The peristaltic pump tube should be checked regularly for wear. It should also be kept clean and lubricated with silicone grease. We also recommend that the tube be changed at regular intervals, depending upon how long the pump has been in use and the type of fluid being pumped through it.

The information in this leaflet is for general information and guidance only. Ambic Equipment Ltd does not provide any warranty on the application of Pumps or Pump Assemblies. It is recommended that customers carry out life tests for their particular application to determine suitability prior to use. The information provided is given in good faith and believed to be current and correct at the time of publication. Ambic Equipment Ltd cannot accept responsibility for any errors or omissions contained in this document.

Low Volume Metal Gear Peristaltic Pump (12/24V DC) – Fixed Speed




Troubleshooting

Fault	Cause	Remedy
Pump does not work	<p>Pump is not connected to the supply.</p> <p>The supply is Switched OFF.</p> <p>Pump is drawing current but not running.</p>	<p>Check that pump is connected to supply voltage.</p> <p>Switch the supply ON.</p> <p>Check the power supply is capable of supplying the required current.</p>
No pump output delivery	<p>Pump is not running.</p> <p>Spinner assembly is running anticlockwise.</p> <p>Inlet tube is not connected to the left-hand spigot.</p> <p>Suction tube assembly is not properly inserted into chemical drum – use a suitable Non return valve.</p> <p>Stiffener not fitted to the suction tube.</p> <p>Kinks in the suction and/or delivery tube.</p>	<p>Connect the power to the pump.</p> <p>Reverse the supply connections.</p> <p>Connect the inlet (suction) tube to the left-hand spigot.</p> <p>Insert the suction tube into the drum.</p> <p>Fit a stiffener tube; this will help with keeping the suction tube to the bottom of the drum.</p> <p>Remove the kink and make sure it does not happen in the same place again.</p>
Pump does not lift the liquid	<p>Peristaltic tube needs replacing.</p>	<p>Replace the tube with correct size bore, spigot and shore hardness as supplied through the manufacturer or their recognized agent.</p>
Chemical seems to lift and then drop back.	<p>Peristaltic tube needs replacing.</p> <p>Air getting inside the tube.</p>	<p>Replace the tube with correct size bore, spigot and shore hardness, as supplied through the manufacturer or their recognized agent.</p> <p>Check if the suction and delivery tubes are fitted tightly onto the spigot and that a jubilee clip has been fitted.</p>

Low Volume Metal Gear Peristaltic Pump (12/24V DC) – Fixed Speed

Parts Listing

The following spare parts are available to order separately:

<p style="text-align: center;">ALP/101-SA625-PP Peristaltic Tube</p>	<p style="text-align: center;">ALP/101-SI635 Silicone Peristaltic Tube</p>
<div style="text-align: center;">  <p>6.3mm bore Tubes with other bore sizes available upon request</p> </div>	<div style="text-align: center;">  <p>6.3mm bore</p> </div>
<p style="text-align: center;">ALP/103 Pump Block and Cover</p>	<p style="text-align: center;">ALP/102 Roller Assembly</p>
<div style="text-align: center;">  </div>	<div style="text-align: center;">  </div>
<p style="text-align: center;">ALP/115 Silicone Grease</p>	<p style="text-align: center;">ALP/100-12, ALP/100-24 DC Motor (12 or 24V)</p>
<div style="text-align: center;">  </div>	<div style="text-align: center;">  <p>Five different motor speeds.</p> </div>

Low Volume Metal Gear Peristaltic Pump (12/24V DC) – Fixed Speed

Low Volume Metal Gear Peristaltic Pump (12/24V DC) – Fixed Speed



Ambic Equipment Limited,
1 Parkside, Avenue Two, Station Lane,
Witney, Oxfordshire, OX28 4YF. England
Tel: +44 (0)1993 776555 Fax: +44 (0)1993 779039
www.ambic.co.uk