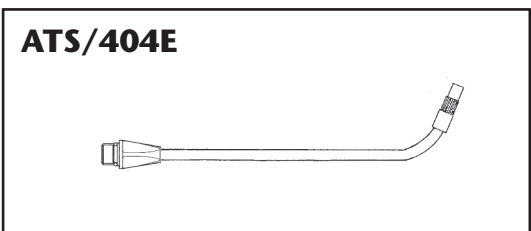
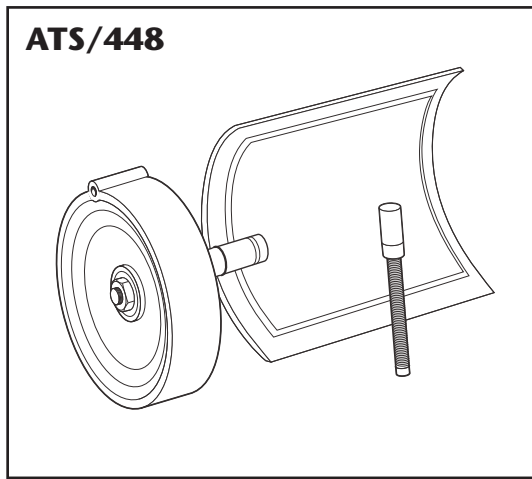
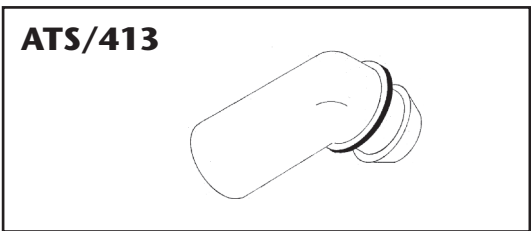
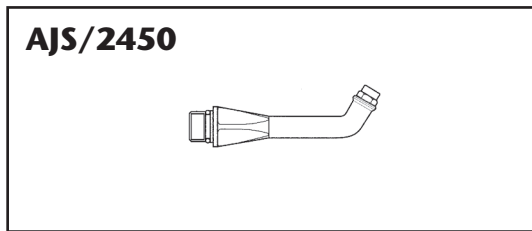
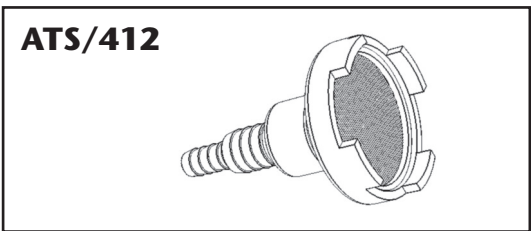
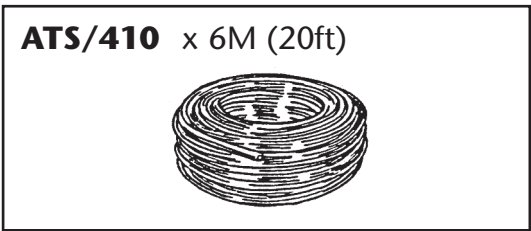
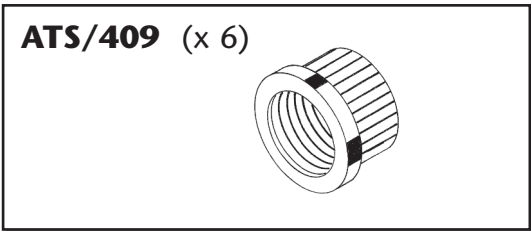
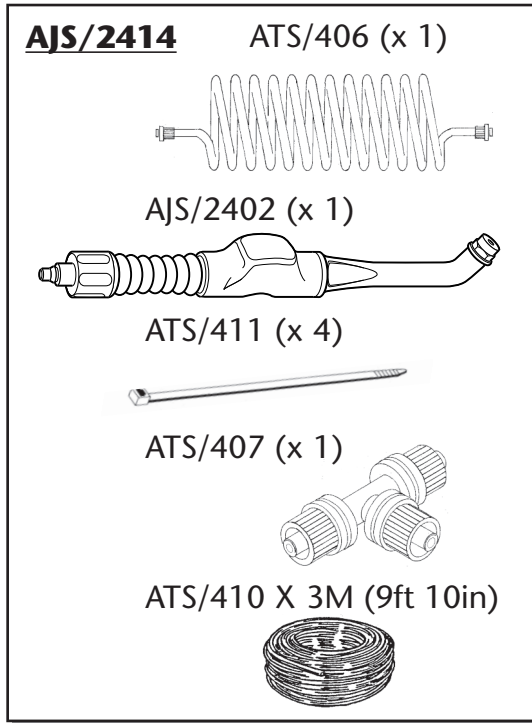
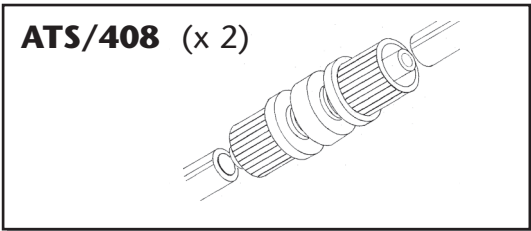
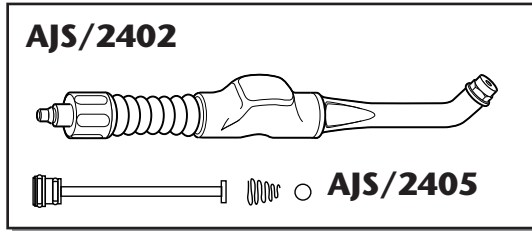
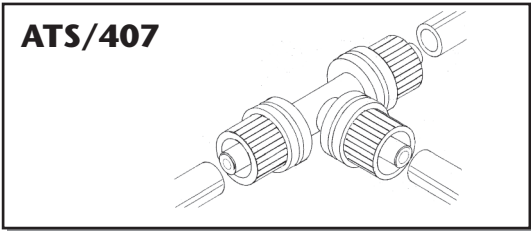


**14. SPARE PARTS** continued



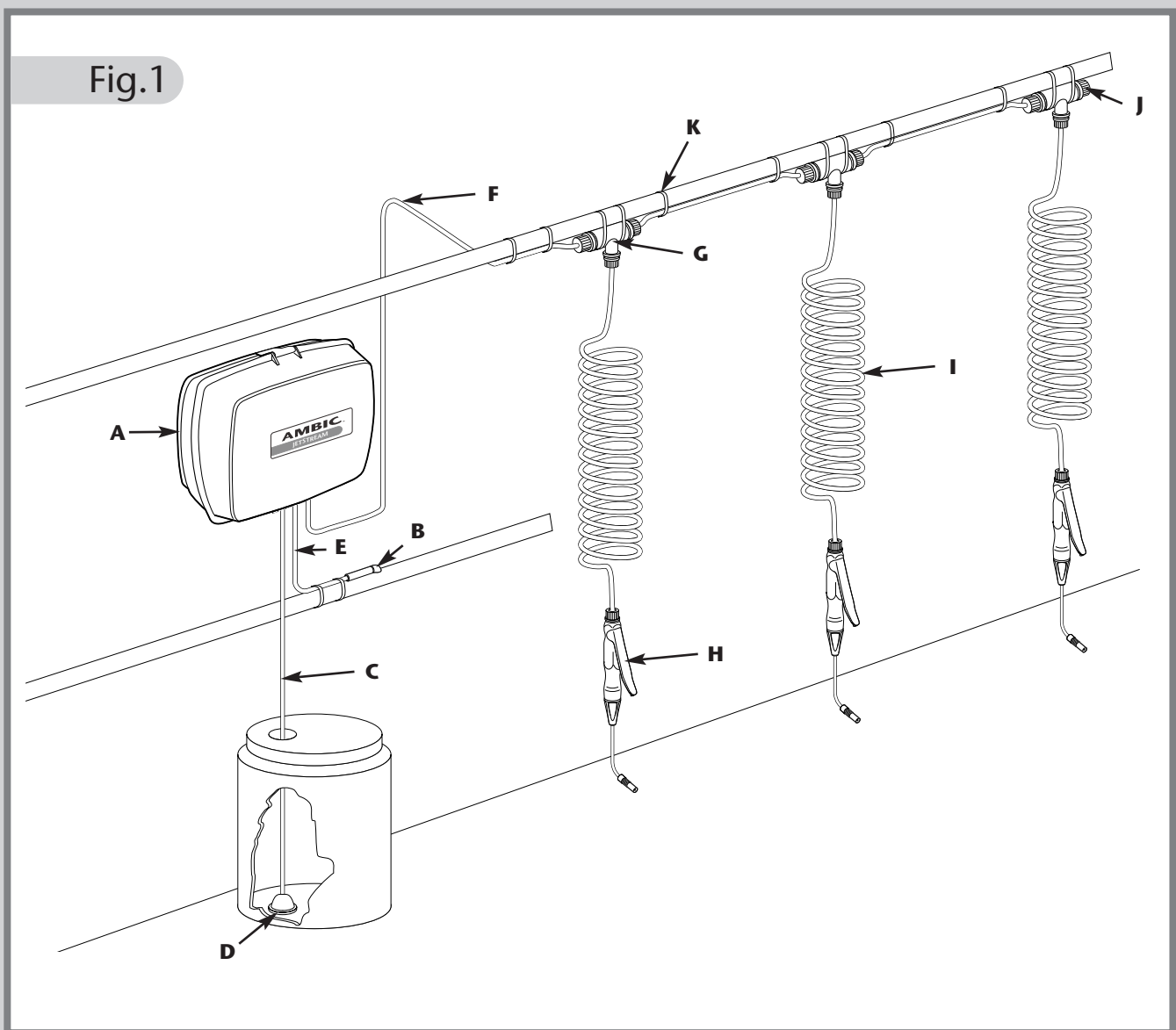
NOTE: NOT ALL SPARE PARTS ARE ILLUSTRATED. PLEASE CONTACT YOUR DEALER.



# AMBIC®

## JETSTREAM

Fig.1



INSTRUCTIONS • ISTRUZIONI • ANLEITUNG • INSTRUCȚIIS  
MODE D'EMPLOI • INSTRUCCIONES

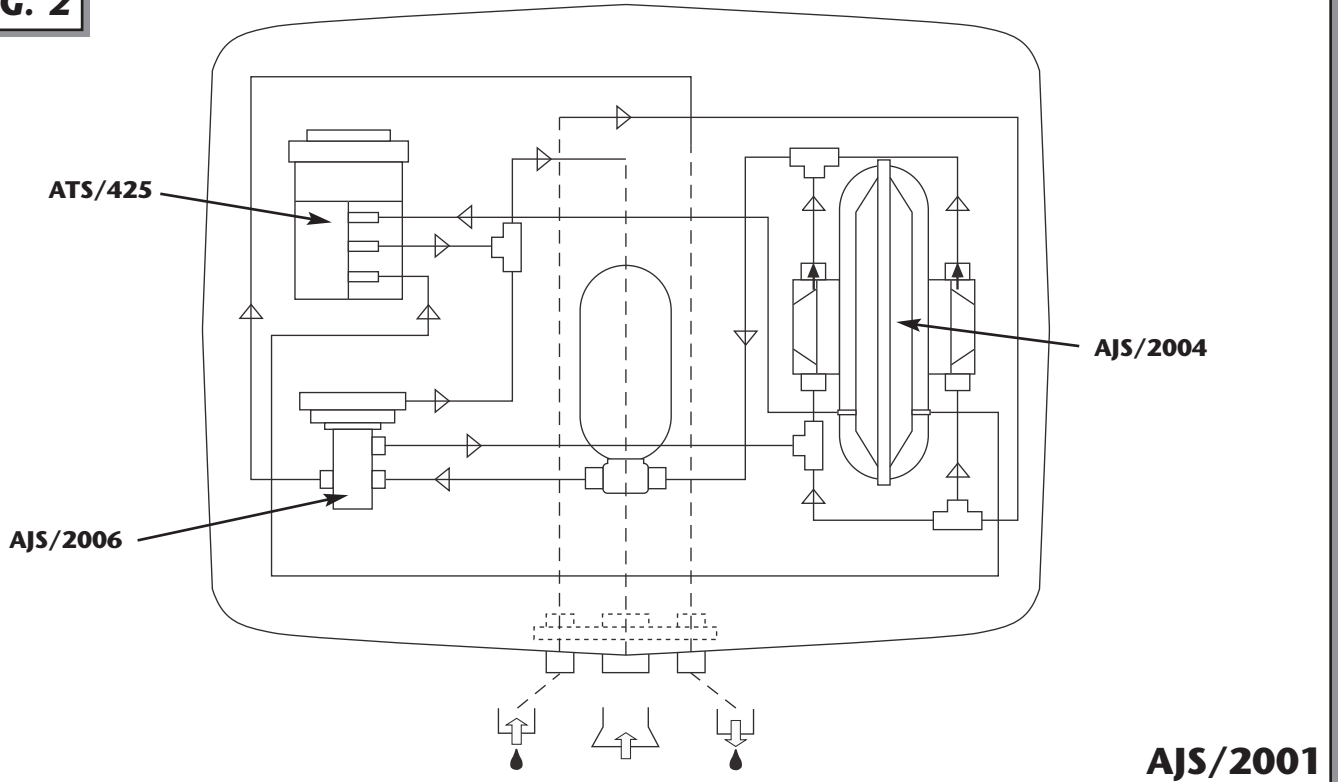
*leading best practice in livestock health management*

**1. SCHEMATIC LAYOUT**  
**SCHEMA GENERALE**

**SCHEMATISCHER GRUNDRISS**  
**SCHEMATISCH OVERZICHT**

**SCHEMA SYNOPTIQUE**  
**DISPOSICIÓN ESQUEMÁTICA**

**FIG. 2**

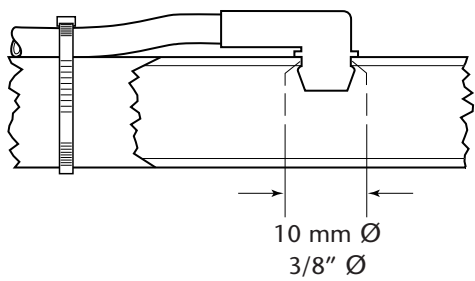


**2. INSTALLATION**  
**INSTALLAZIONE**

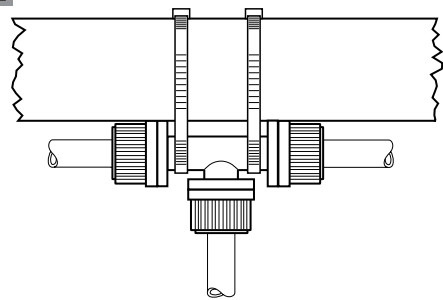
**INSTALLATION**  
**INSTALLATIE**

**INSTALLATION**  
**INSTALACIÓN**

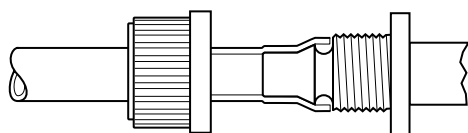
**FIG. 3**



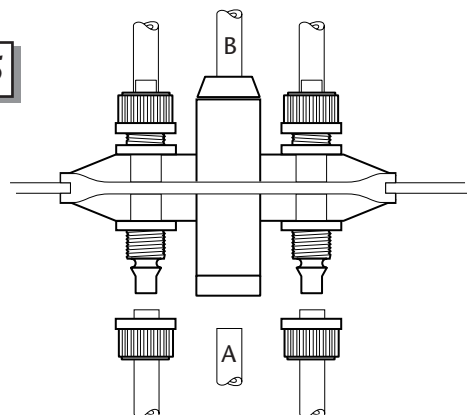
**FIG. 4**



**FIG. 5**



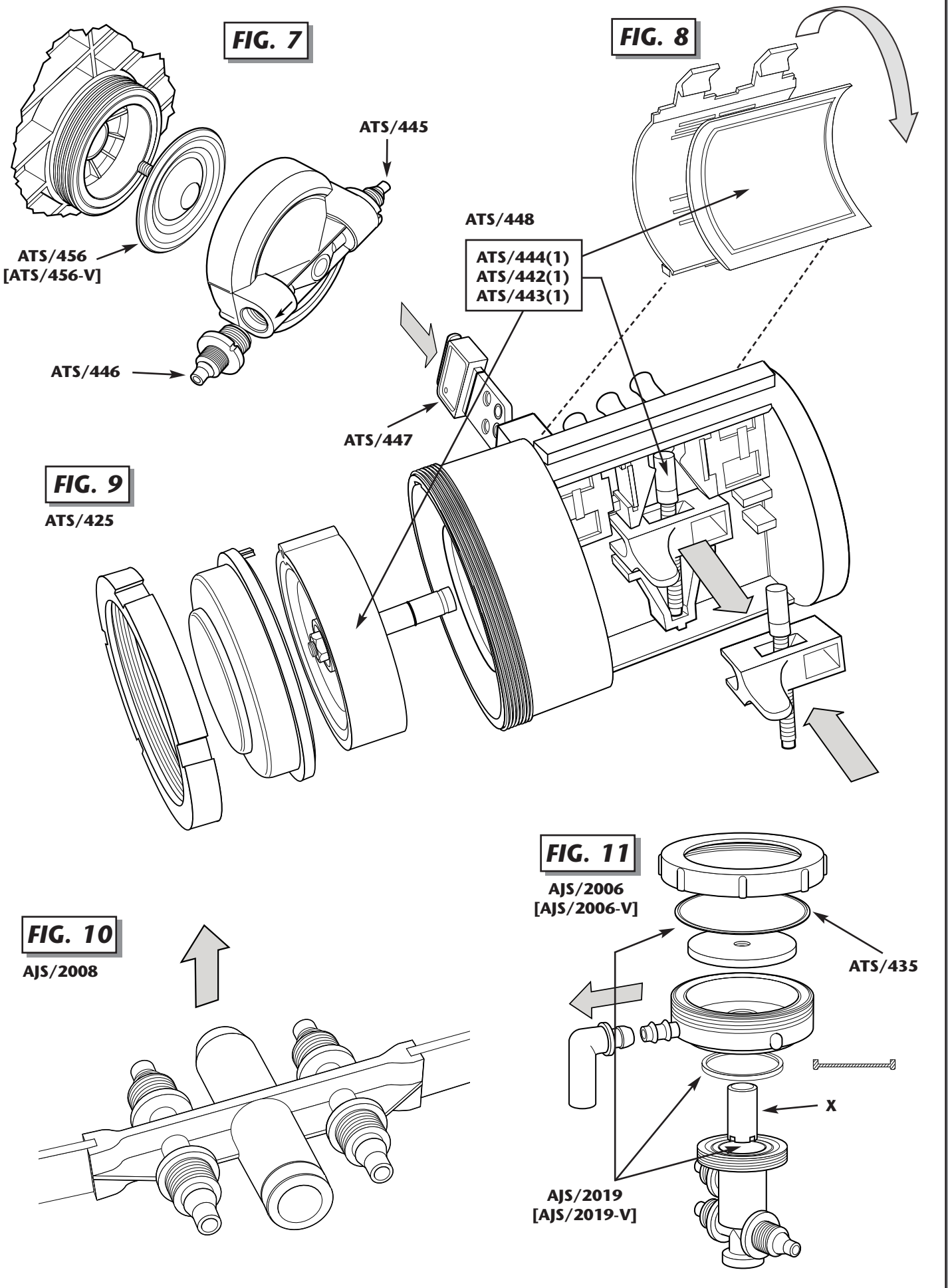
**FIG. 6**



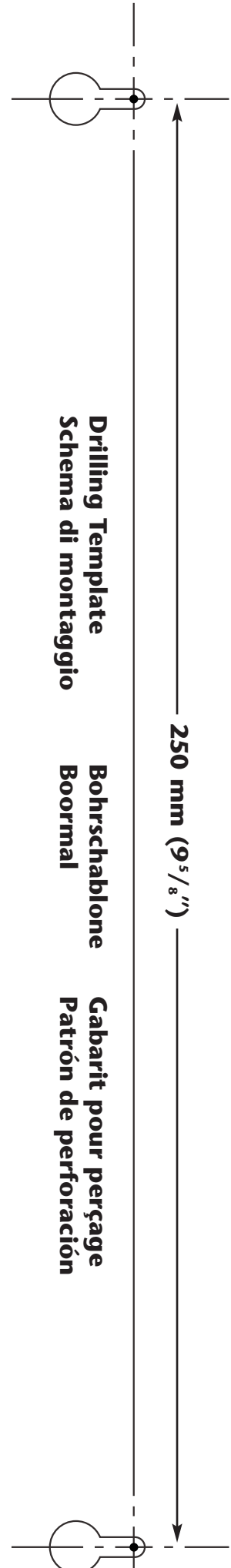
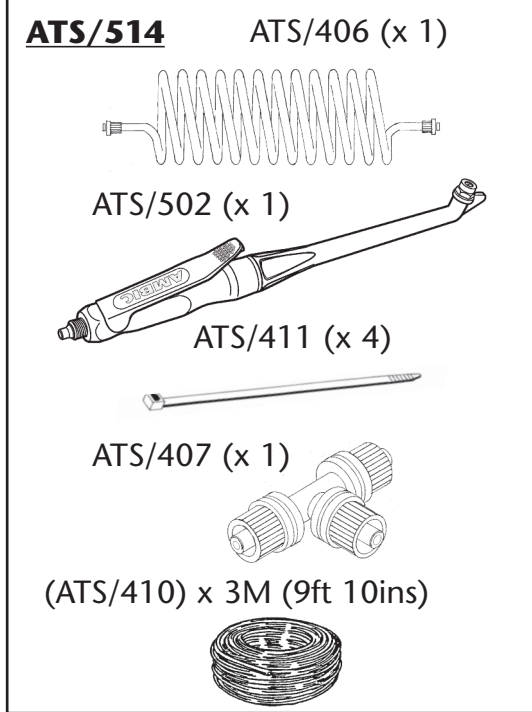
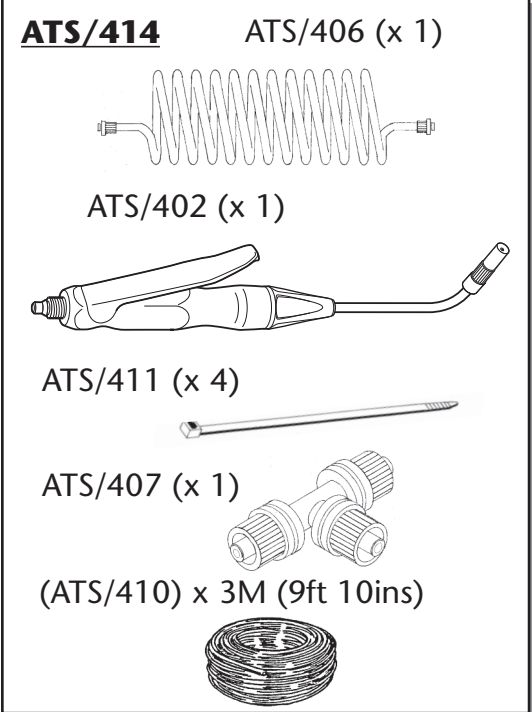
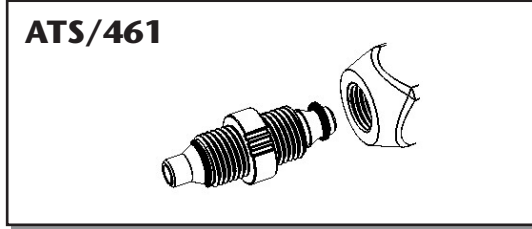
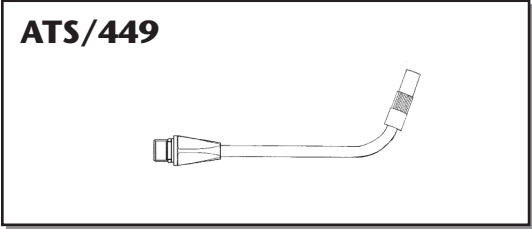
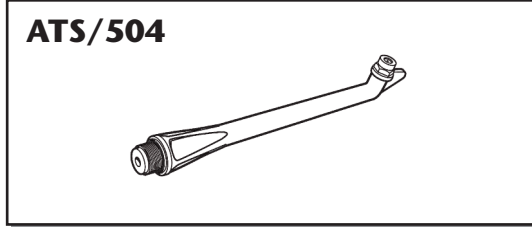
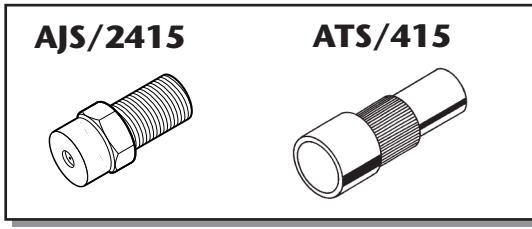
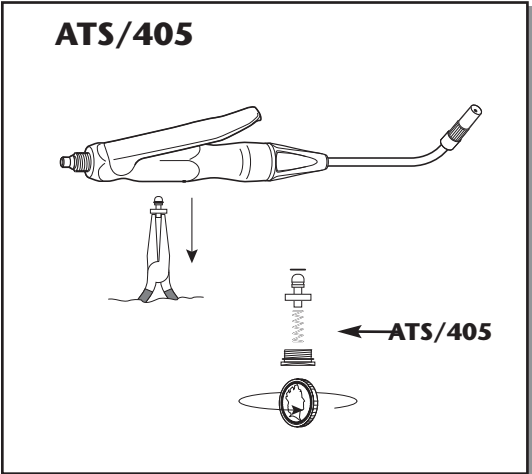
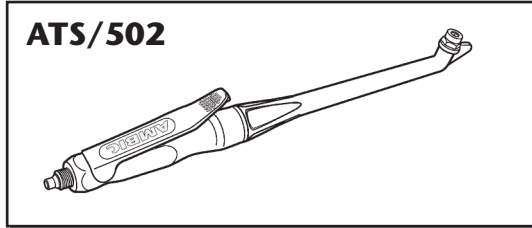
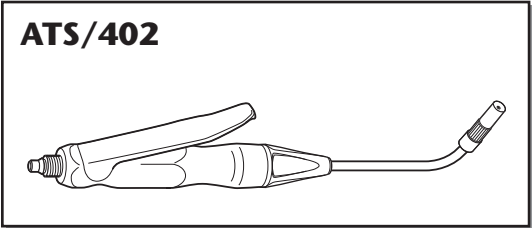
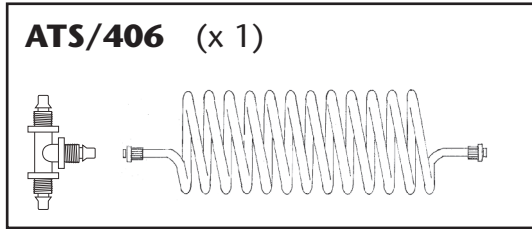
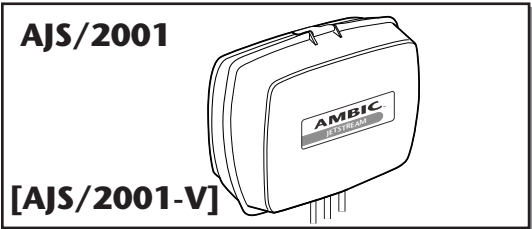
**3. MAINTENANCE  
MANUTENZIONE**

**INSTANDHALTUNG  
ONDERHOUD**

**ENTRETIEN  
MANTENIMIENTO**



<b>14. SPARE PARTS ELENCO RICAMBI</b>	<b>ERSATZTEILE RESERVEONDERDELEN</b>	<b>PIECES DE RECHANGE REPUESTOS</b>
---	--	---



NOTE: NOT ALL SPARE PARTS ARE ILLUSTRATED. PLEASE CONTACT YOUR DEALER.