

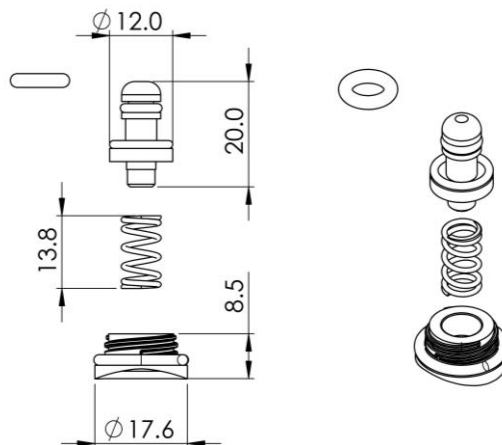


Control Valve Assembly Kit

ATS/405

<p style="text-align: center;">ATS/405 Suitable for use with lever guns for: JetStream™, Classic, EasiDipper™ and EasiFoamer™</p>  <p>Spring: Stainless Steel 'o' rings: Viton Button and Valve: Polypropylene Packed Dimensions: 19 x 10 cm Net weight: 80g</p> <p>Available in blue, green, red, or yellow</p>	<p style="text-align: center;">ATS/405-PA For use with PeraSpray™ only</p>  <p>Spring: Stainless Steel 'o' rings: EPDM Button and Valve: Polypropylene Packed Dimensions: 19 x 10 cm Net weight: 80g</p>
---	---

All dimensions are approximate



Manufactured in the UK

HS Commodity Code: 84349000

REACH compliance is not applicable.